

Toilet Hardware INSTALLATION INSTRUCTIONS

Swiss Madison[®]
well made forever

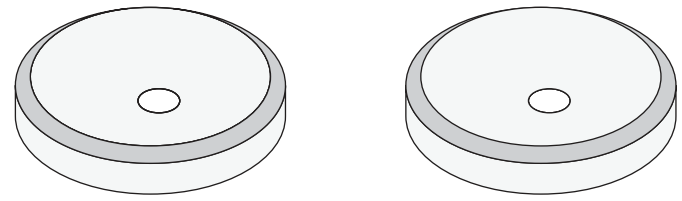
Prior to Installation:

- Inspect product to ensure no damages have occurred while in shipping.
- The step-by-step guidelines in the installation instructions are a general reference.
- Read installation and maintenance instructions thoroughly before installing. Be sure to use proper tools and always wear proper personal safety accessories for your protection.

If you have any questions or concerns please contact us:

1-434-623-4766

info@swissmadison.com

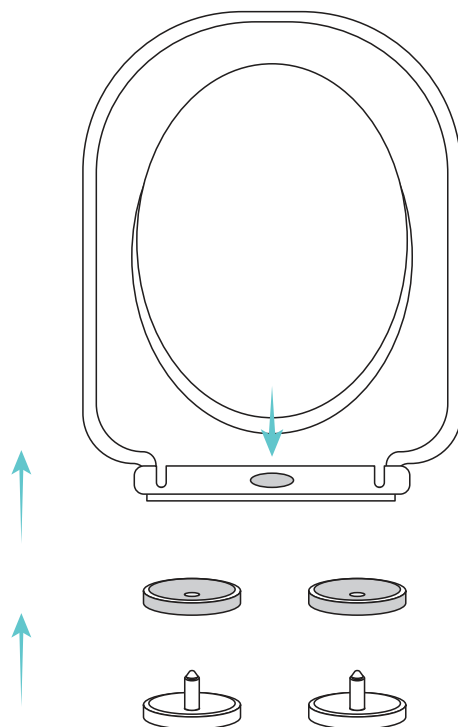


Included Parts:

- Seat Hardware
- Installation Bolts

1. Remove Old Hardware

- Push the quick release buttons on your toilet seat and pull up to remove the seat. Remove old cover caps.



2. Install New Hardware

- Replace old cover caps with new cover caps.
- Align the seat to the hinges and reattach the seat to the bowl.

